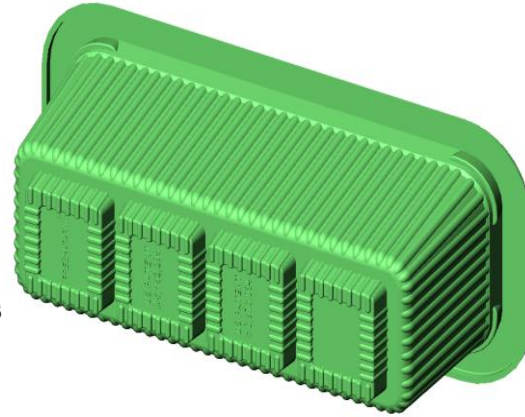




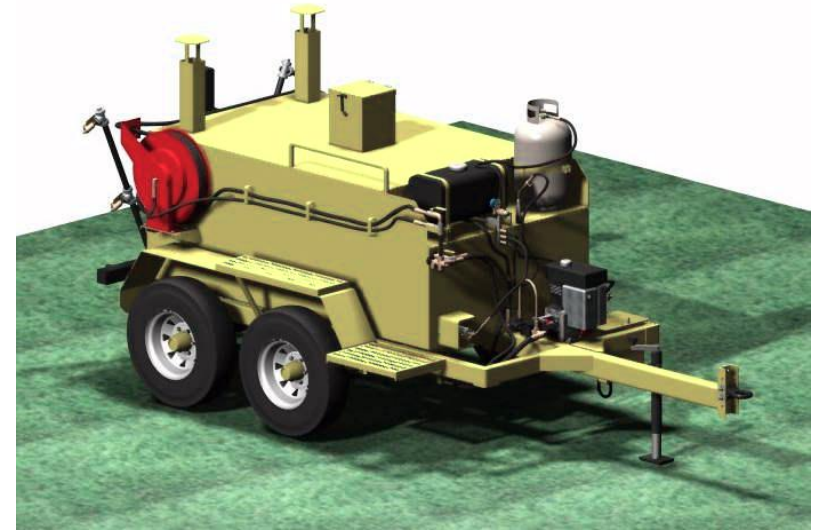
WaterMark  
Design, LLC  
Charlotte / Atlanta

Contact: Mark Stapleton  
info@h2omarkdesign.com  
www.h2omarkdesign.com  
704-650-4175 cell

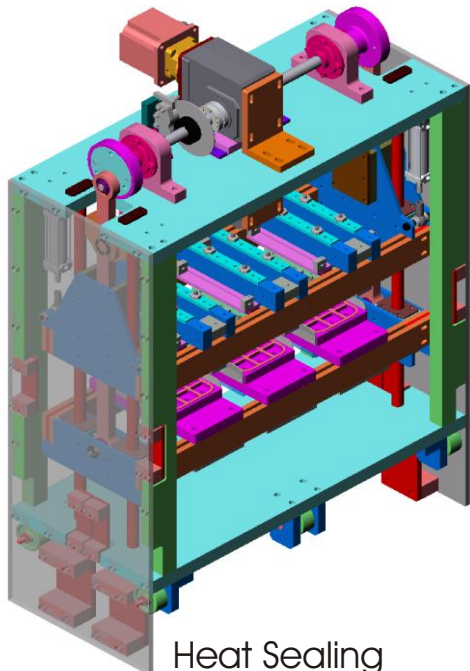
3D Electro-mechanical design  
2D documentation (AutoCAD)  
Technical writing & illustration  
Prototypes & "virtual" prototypes  
Near photographic rendering  
Product development  
Reverse engineering  
Patent illustration  
Animations



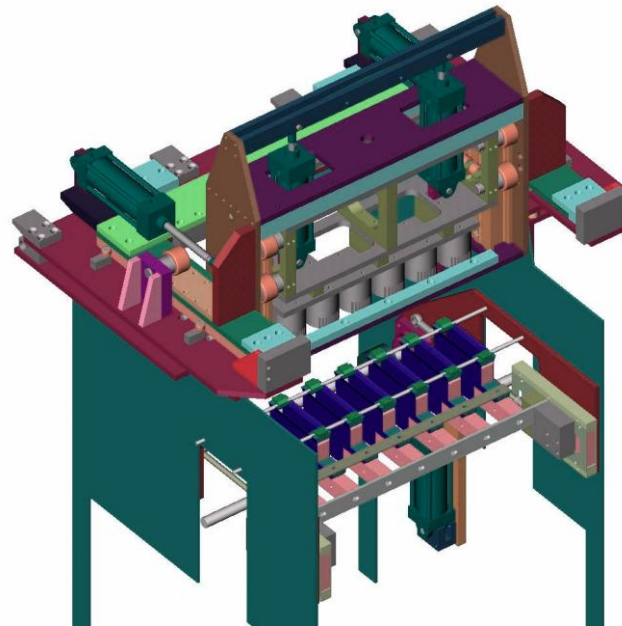
Thermoformed Food Tray



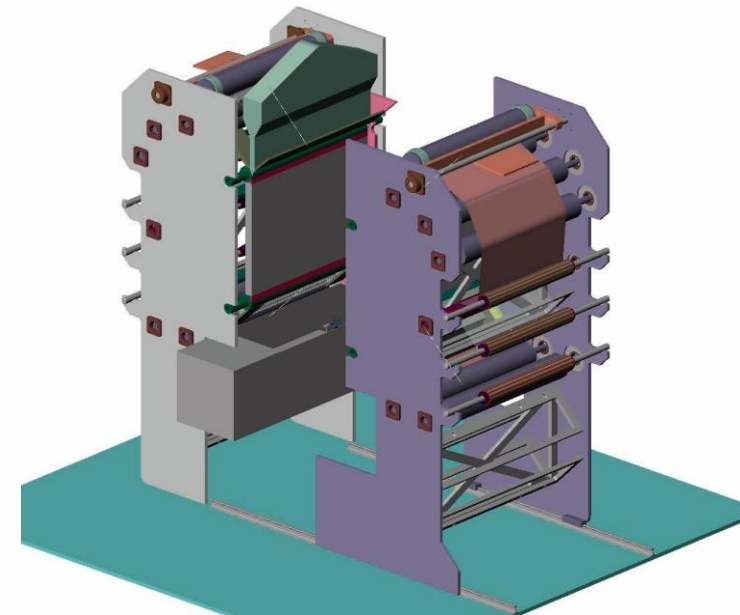
Roadway Pitch Spraying Machine



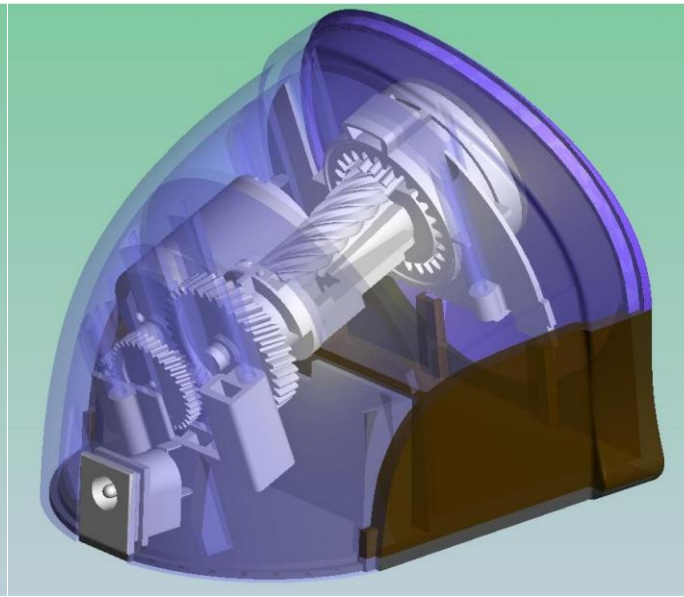
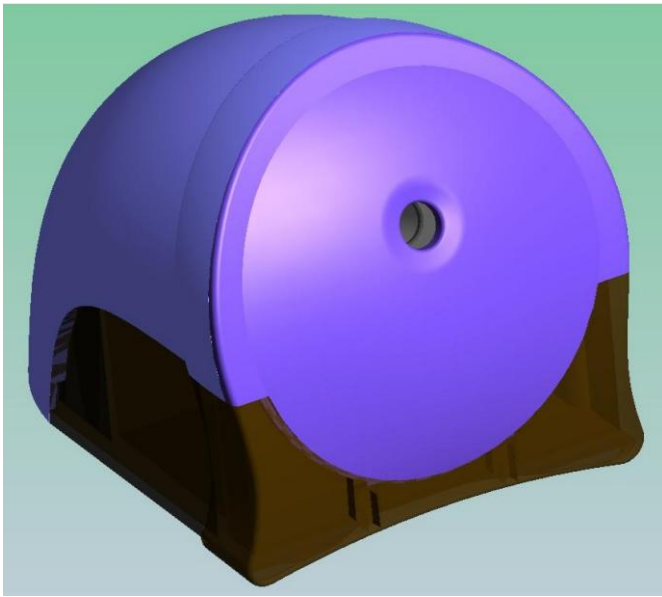
Heat Sealing  
Workstation for Food Trays



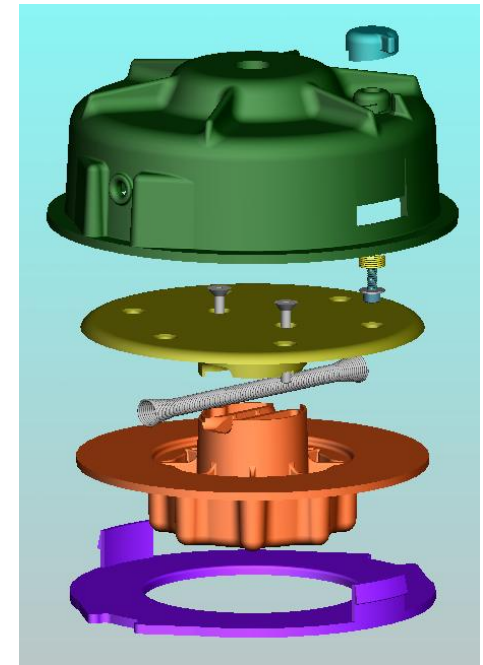
Retrofit/ Redesign  
of Tomato Slicing Machine



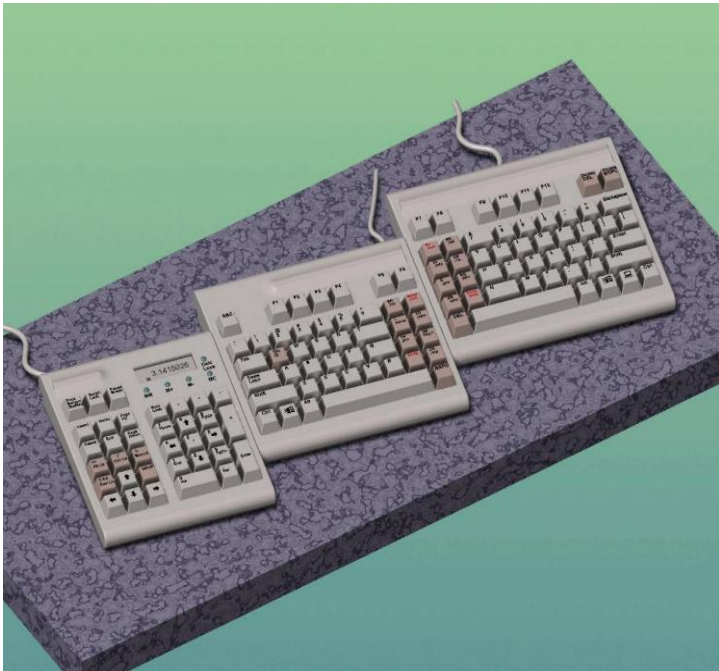
Web Handling Machine  
for Metal Vapor Deposition



Tiny Electric Pencil Sharpener (injection molded plastics)



Weed Trimmer Head (injection molded plastics)



3-Segment Keyboard (injection molded plastics)



Safer, More Effective & Reusable Timed Incendiary Flash / Noisemaker for Hostage Situations (injection molded, machined, stamped & cast parts)